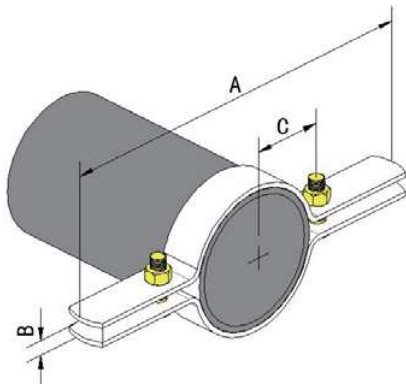




Style 705 Riser Clamp is recommended for support of stationary steel pipe riser. Clamp is fitted and bolted preferably by tighten bolts. Clamp is designed for standard steel pipe O.D. and this must be considered in sizing for riser for other types of piping.

- Two-pieces structure design, easy installation.
- Special design for support.
- Simplified structure design with two Galvanized bolts.
- Finish: Electro-Galvanized or Plain.
- Size: 3/4" - 12" .



Pipe Size	A	B	C	Max Load	Approx. Wt. Ea.
In/mm	In/mm	In/mm	In/mm	Lbf/N	Lbs./kg
3/4	8.86	0.39	1.28	220	0.99
20	225.0	10.0	32.5	978	0.45
1	8.86	0.39	1.38	220	0.99
25	225.0	10.0	35.0	978	0.45
1 1/4	10.04	0.39	1.57	250	1.28
32	255.0	10.0	40.0	1112	0.58
1 1/2	10.24	0.39	1.77	250	1.30
40	260.0	10.0	45.0	1112	0.59
2	10.24	0.47	2.07	300	1.57
50	260.0	12.0	52.5	1334	0.71
2 1/2	11.22	0.47	2.36	400	1.72
65	285.0	12.0	60.0	1778	0.78
3	11.42	0.47	2.76	500	1.76
80	290.0	12.0	70.0	2223	0.80
3 1/2	12.80	0.47	3.05	500	1.98
90	325.0	12.0	77.5	2223	0.90
4	12.80	0.47	3.25	750	2.01
100	325.0	12.0	82.5	3337	0.91
5	13.78	0.47	3.94	1500	3.02
125	350.0	12.0	100.0	6674	1.37
6	14.76	0.47	4.43	1600	3.31
150	375.0	12.0	112.5	7118	1.50
8	18.50	0.63	5.61	2500	6.39
200	470.0	16.0	142.5	11125	2.90
10	20.24	0.63	6.69	2500	10.21
250	514.0	16.0	170.0	11125	4.63
12	22.76	0.79	7.87	2700	15.32
300	578.0	20.0	200.0	12015	6.95